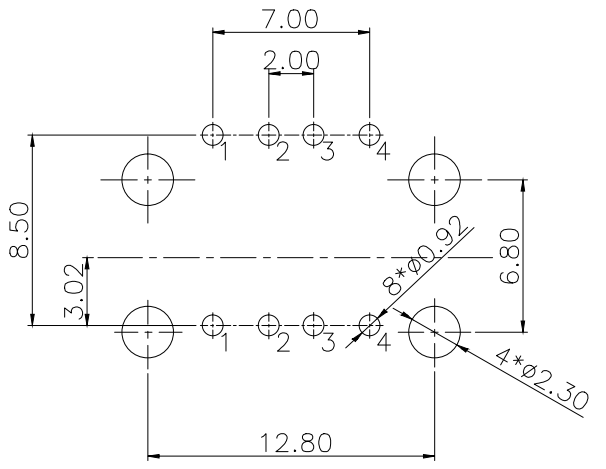
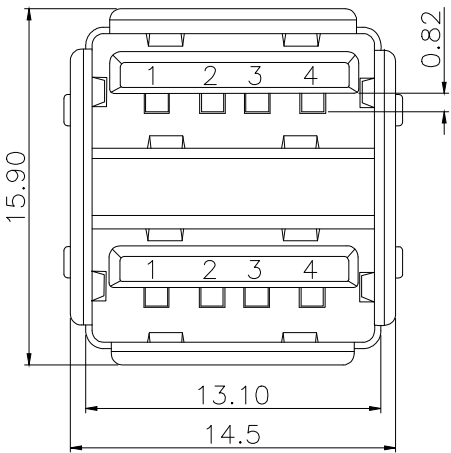
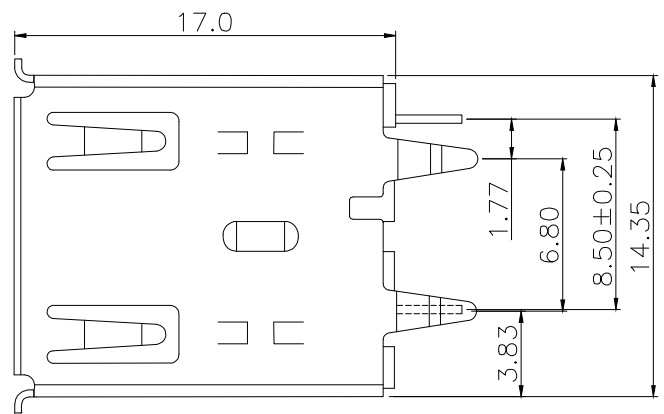


RoHS

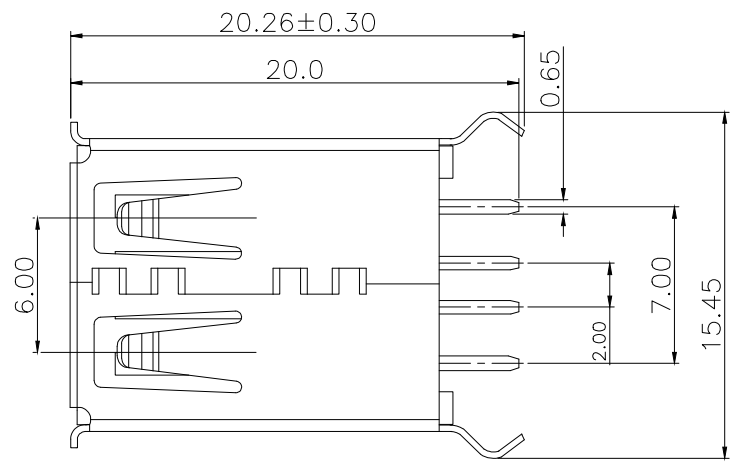
REVISION RECORD 修改紀錄					
REV	ECD	DESCRIPTION	DATE	DRFT	CHKD



PCB.LAYOUT

NOTES:

- MATERIAL:
 - Housing: thermoplastic plastics
 - terminals: Copper Alloy
Gold plated in contact area:
Tin plated in termination
Nickel Plated overall
 - Shell: Steel & Copper Alloy
Nickel Plated overall
- ELECTRICAL CHARACTERISTICS:
 - Rating Current :1.5 Ampere
 - Rating Voltage :30 V Max
 - Contact Resistance:30 Milli ohms
 - Insulation Resistance:1000 Mega ohms Min.
- MECHANICAL CHARACTERISTICS:
 - Connector Mating force: 35N MAX(3.57Kgf)
 - Connector Unmating force:10N min(1.02Kgf)
 - Durability:1500Cycles.
- ENVIRONMENT CHARACTERISTICS:
 - Operating temperature:-0°C to +50°C
 - Storage temperature:-20°C to +60°C



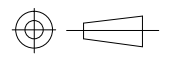
EL223-082X-XXX0XR

- | | |
|------------------------------|-------------------|
| 1:Iron alloy
Ni plating | 1:tray |
| 5:Copper alloy
Ni plating | 2:Tube |
| 1:Au 1u" | 8:Tape&Reel |
| 3:Au 3u" | 9:Tape&Reel+Mylar |
| 5:Au 5u" | 1:Black |
| 7:Au 10u" | 2:White |
| 8:Au 15u" | 3.Beige |
| A:Au 30u" | N.Pure White |
| | 1:PA66 |
| | 2:PBT |
| | 6:LCP |

單位: mm	DFTO: Ina	DATE: 2013.07.17
長度公差	角度公差	CHKD: Allen
.0±0.25	0°±5°	APPVL: W.B.Huang
.00±0.15		DATE: 2013.07.17
.000±0.10		脫模角:
		顏色:
		MATERIAL:
		材 質
		TREAT:
		處 理
		QTY:
		數 量
		SCALE:
		比 例 1:1

ELLAX CORPORATION.

TITLE: USB AF 180度雙層直插長體			
DWG NO.	EL223-082X-XXX0XR	SIZE	REV
DRAWING NO:	EL223-082X-XXX0XR_A	A4	A
PART NO:			
零件編號			1 of 1



THIRD ANGLE PROJECTION